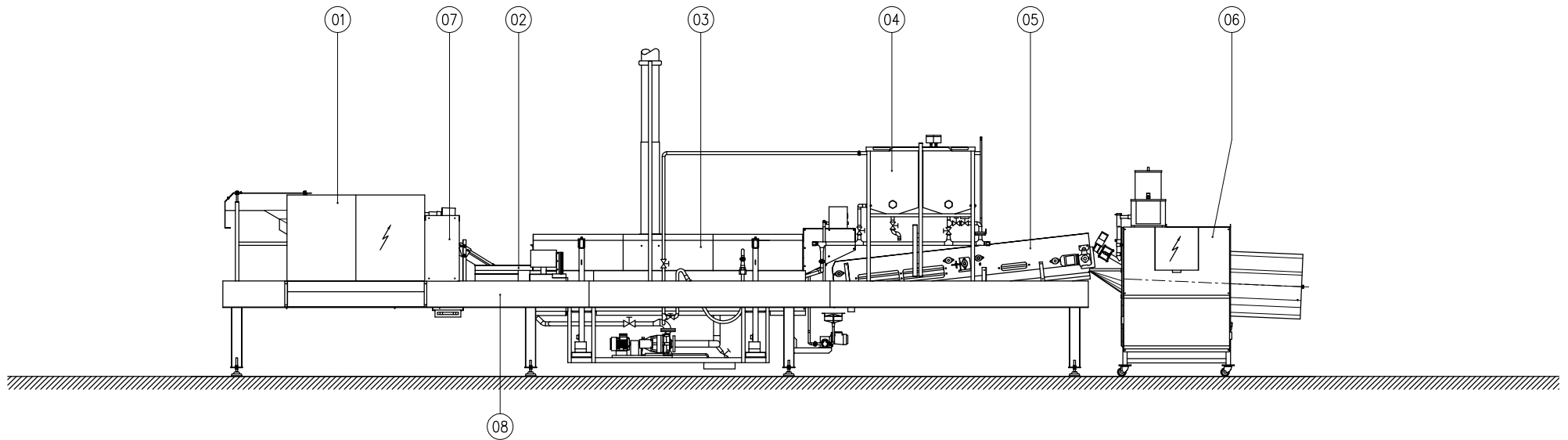
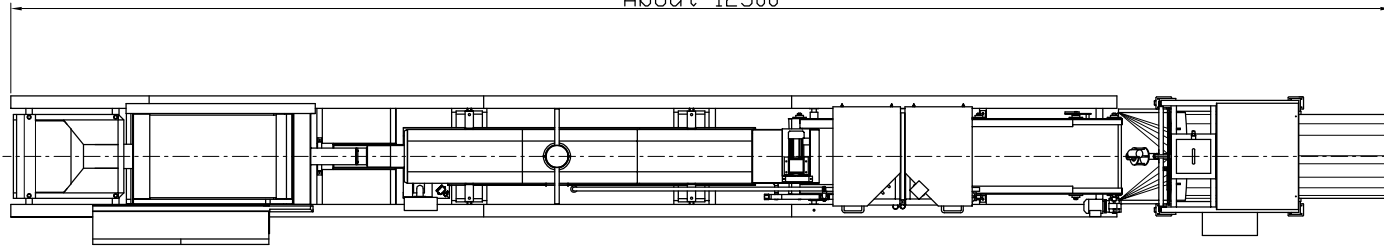


About 12500



- | | | | |
|-----|-------------------------------------|-----|-------------------------------------|
| 1 | PELLET FEED AND DOSING SYSTEM | 6.1 | ROTATING MIXING DRUM |
| 2 | VIBRATORY TRAY | 6.2 | SCREW TYPE FLAVOUR DOSING SYSTEM |
| 3 | PELLET FRYER | 6.3 | ROTATING VANE TYPE FLAVOUR SPREADER |
| 4.1 | OVERNIGHT STORAGE TANK FOR USED OIL | 7 | ELECTRIC CONTROL BOARD |
| 4.2 | FRESH FRYING OIL SUPPLY TANK | 8 | FRAME |
| 5 | DEFATTING BELT | | |